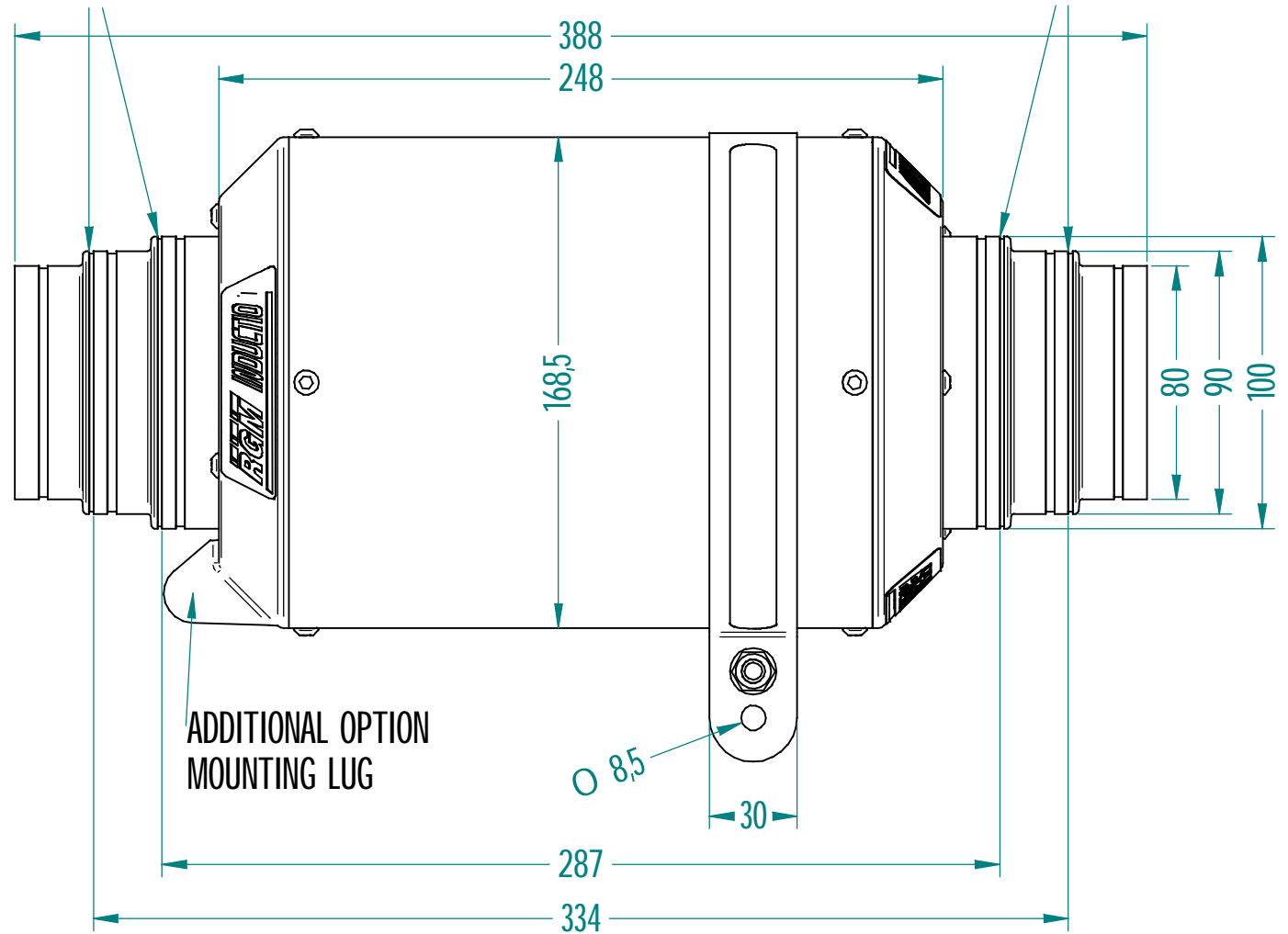


TRIM AT 80mm, 90mm  
AS REQUIRED

TRIM AT 80mm, 90mm  
AS REQUIRED



ASSEMBLY

MTL: CARBON FIBRE/GLASS FILLED NYLON

INDUCTION KIT

QTY/KIT 1

27/02/2009

NEW RELEASE

REVISION DESCRIPTION

ROB GREEN

REQUESTED BY

SIGNED OFF

REV 00